



Installation instructions, accessories

Volvo Car Corporation Gothenburg, Sweden

Instruction No	Version	Part. No.
31346067	1.0	31407107, 31346065

Towbar, wiring, and control module



Installation instructions, accessories

Volvo Car Corporation Gothenburg, Sweden

Materials

Designation	Part number
Isopropanol	1161721

Equipment

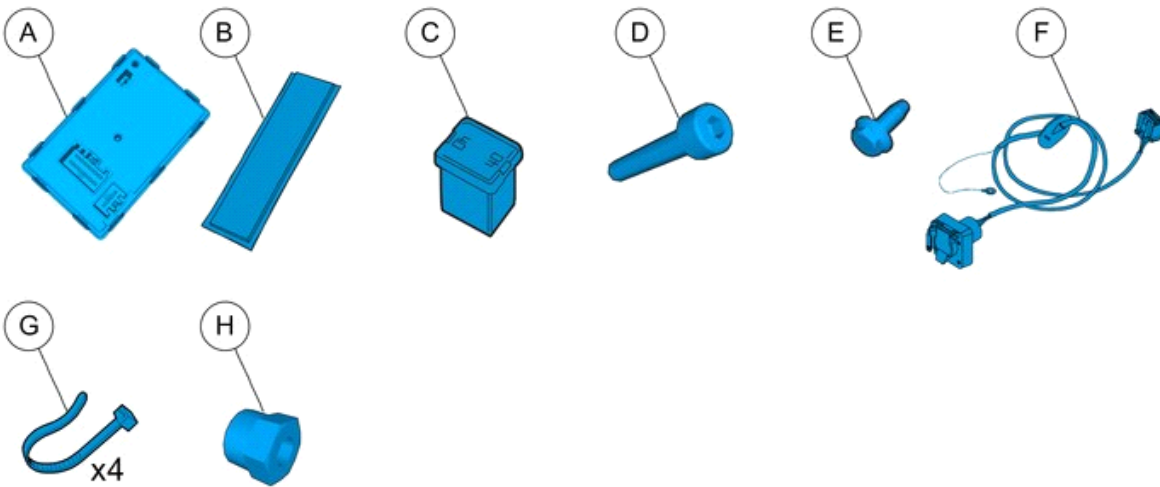
VIDA
IMG-242205

IMG-345497

68°F — 20°C
MIN.

IMG-239664

Nm
lbf.ft



IMG-384873



Installation instructions, accessories

Volvo Car Corporation Gothenburg, Sweden

Information

1

Read through all of the instructions before starting installation.

Notifications and warning texts are for your safety and to minimise the risk of something breaking during installation.

Ensure that all tools stated in the instructions are available before starting installation.

Certain steps in the instructions are only presented in the form of images. Explanatory text is also given for more complicated steps.

In the event of any problems with the instructions or the accessory, contact your local Volvo dealer.

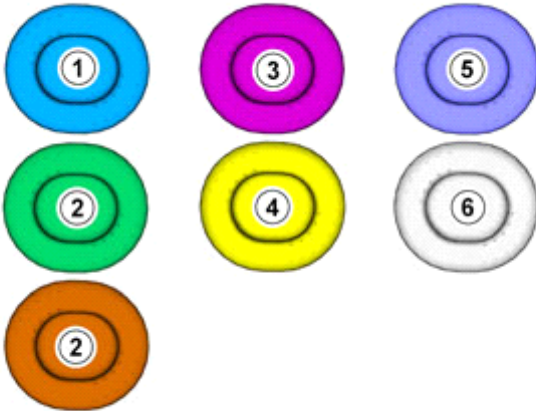
Further information

2

When installing, the car must retain a temperature of 20 degrees C.

Color symbols

3



IMG-363036

Note!

This colour chart displays (in colour print and electronic version) the importance of the different colours used in the images of the method steps.

1. Used for focused component, the component with which you will do something.
2. Used as extra colors when you need to show or differentiate additional parts.
3. Used for attachments that are to be removed/installed. May be screws, clips, connectors, etc.
4. Used when the component is not fully removed from the vehicle but only hung to the side.
5. Used for standard tools and special tools.
6. Used as background color for vehicle components.

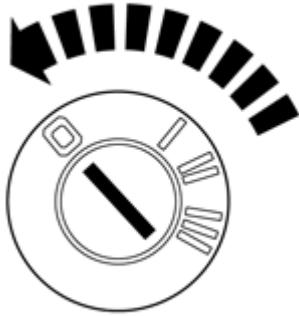


Installation instructions, accessories

Volvo Car Corporation Gothenburg, Sweden

4

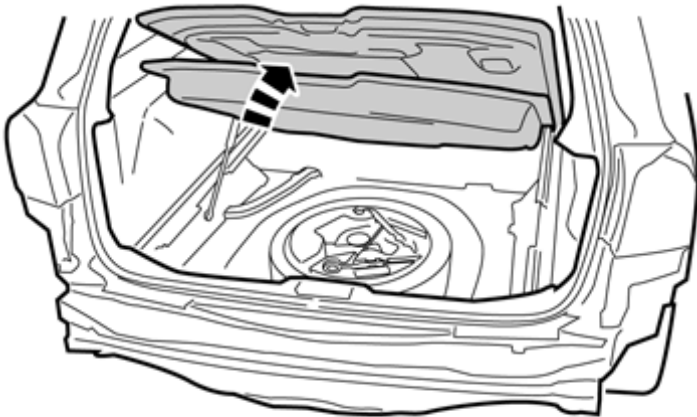
Set the ignition key to position 0.



IMG-245980

Removal

5



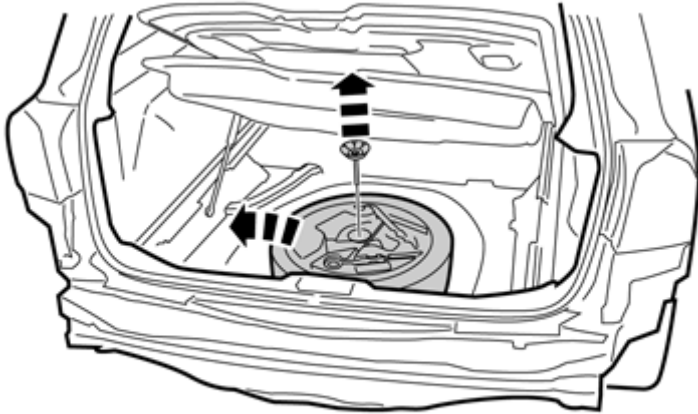
IMG-264423



Installation instructions, accessories

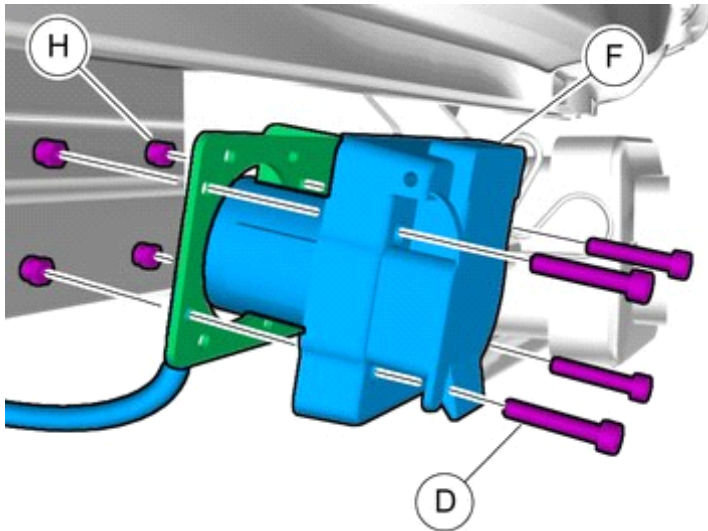
Volvo Car Corporation Gothenburg, Sweden

6



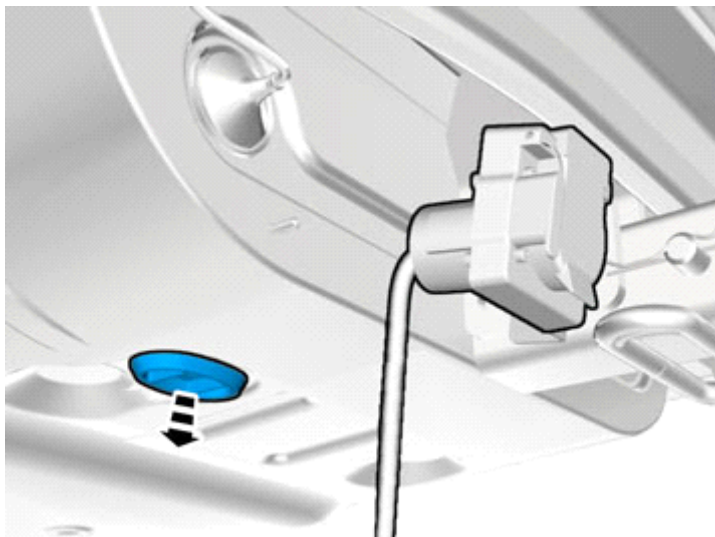
IMG-264424

7



IMG-384789

8



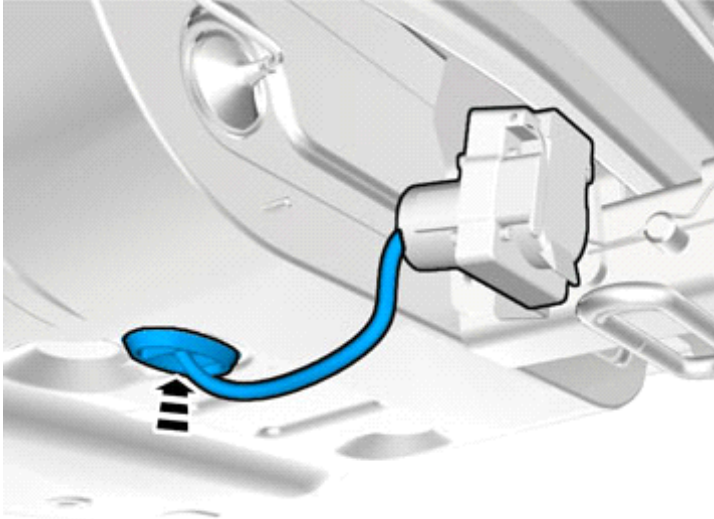
IMG-368465



Installation instructions, accessories

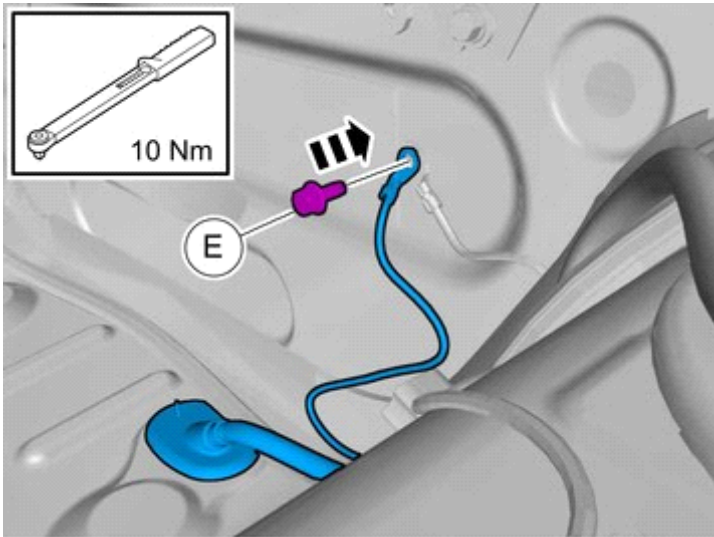
Volvo Car Corporation Gothenburg, Sweden

9



IMG-368466

10

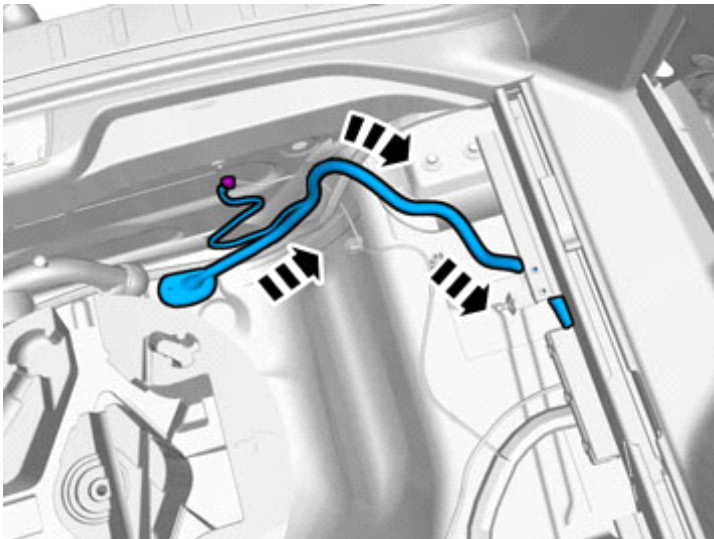


IMG-385068

Ground connection

Tightening torque: M6 , 10 Nm

11



IMG-368499

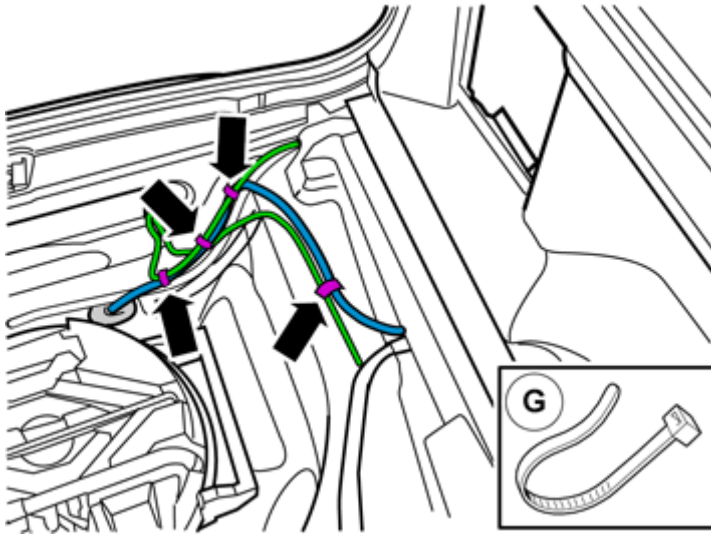
Route the cable harness to the existing cable harness.



Installation instructions, accessories

Volvo Car Corporation Gothenburg, Sweden

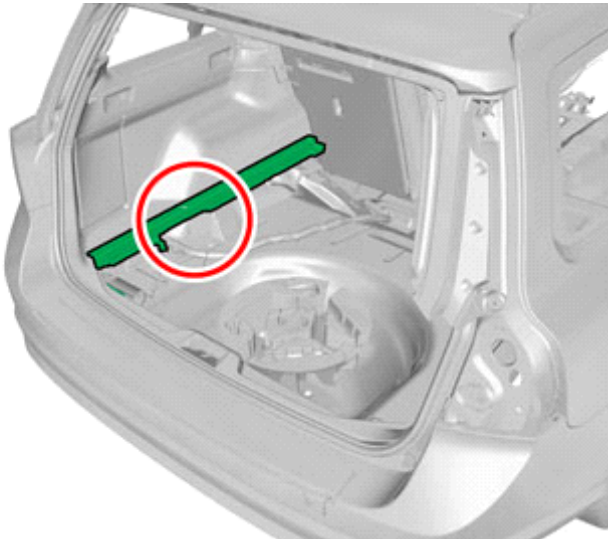
12



IMG-368500

Accessory installation

13



IMG-361501

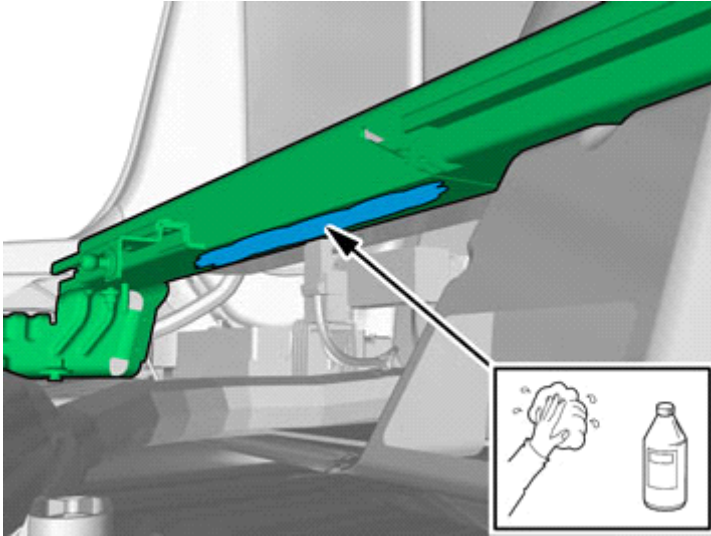
Note!
Orientation view



Installation instructions, accessories

Volvo Car Corporation Gothenburg, Sweden

14



IMG-360217

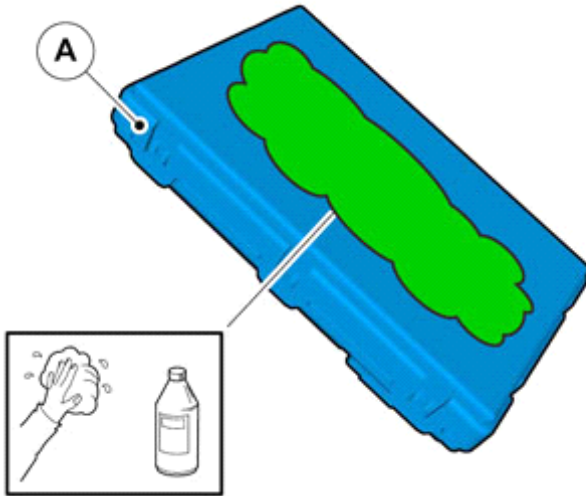
Note!

Note the position.

Use: 1161721, Isopropanol

Wipe dry.

15

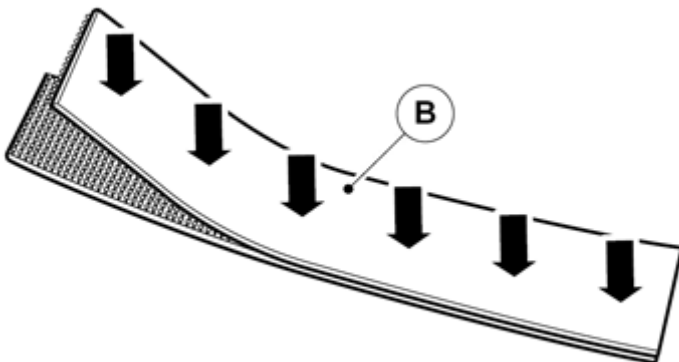


IMG-360218

Use: 1161721, Isopropanol

Wipe dry.

16



IMG-356181

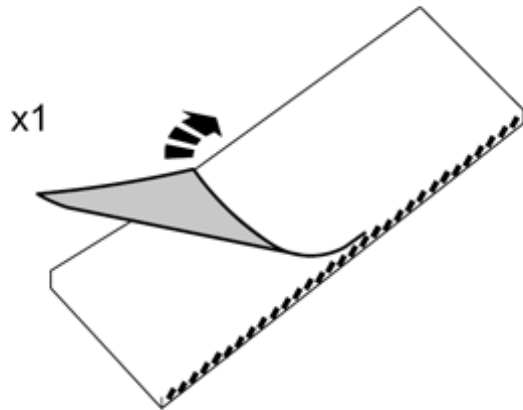


Installation instructions, accessories

Volvo Car Corporation Gothenburg, Sweden

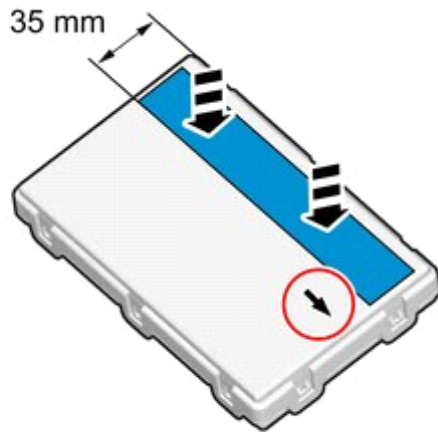
17

Remove the protective film.



IMG-360227

18



Note!

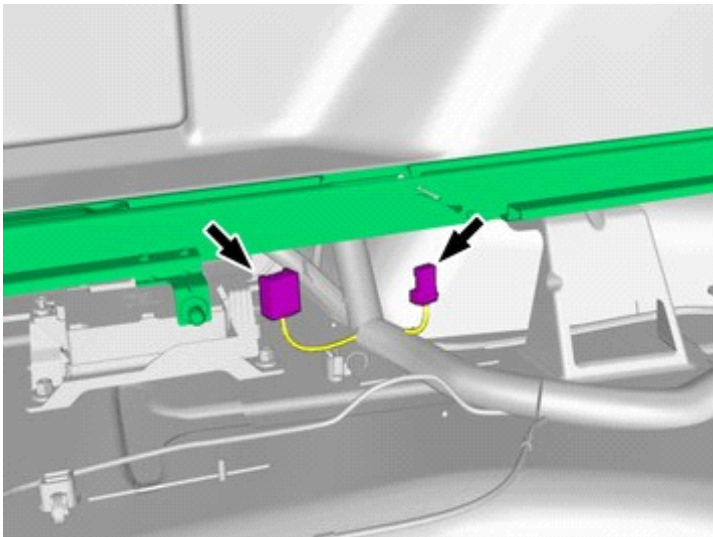
Note the position.

When installing Velcro tape the surface must maintain a temperature of at least +20 ° C (68°F).

IMG-384588

19

Locate the pre-routed connectors.



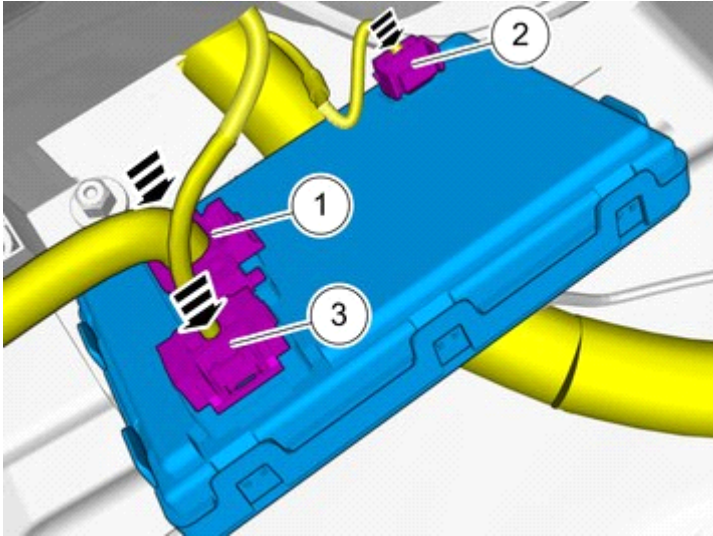
IMG-384586



Installation instructions, accessories

Volvo Car Corporation Gothenburg, Sweden

20



IMG-384534

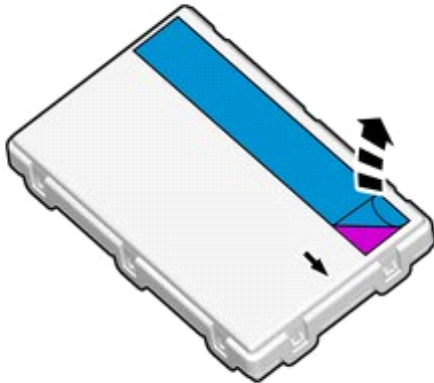
Note!

Make sure to follow the sequence indicated.

Connect the connectors.

21

Remove the protective film.



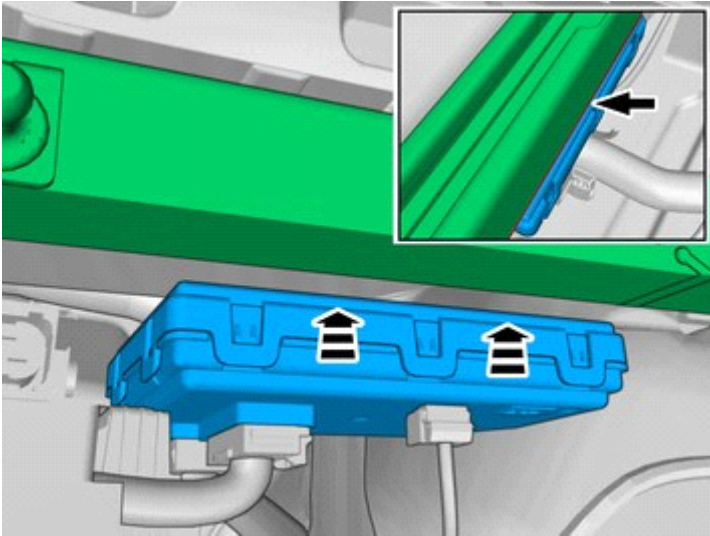
IMG-384589



Installation instructions, accessories

Volvo Car Corporation Gothenburg, Sweden

22



IMG-384559

Caution!

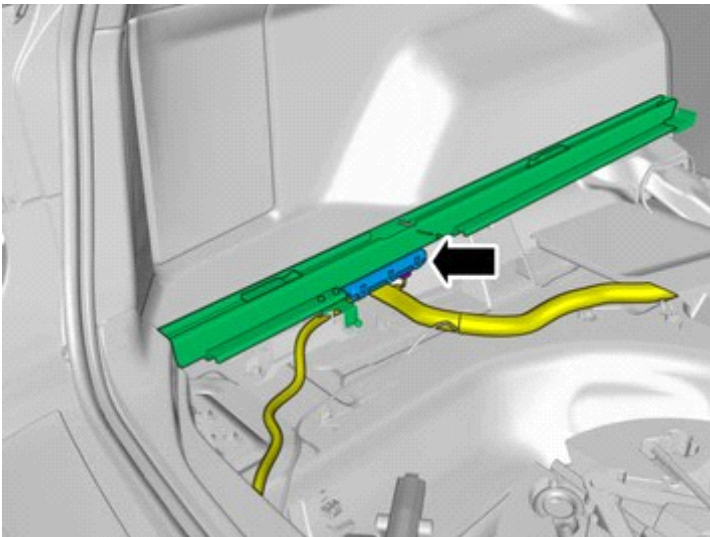
Ensure that the wire or wiring harness cannot rub against adjacent components.

Note!

Note the position.

Place the component where indicated in the graphic.

23



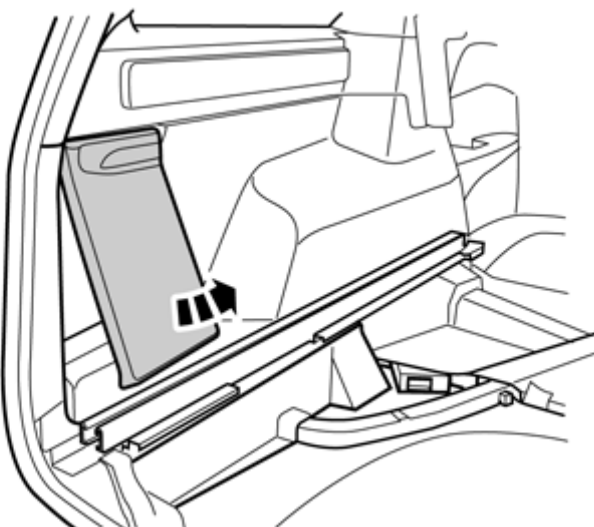
IMG-385298

Note!

Note the position.

Place the component where indicated in the graphic.

24



IMG-265733

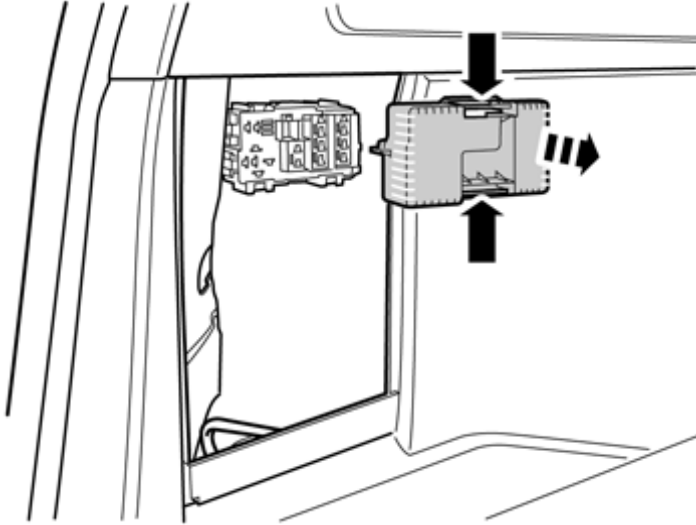
Detach the panel.



Installation instructions, accessories

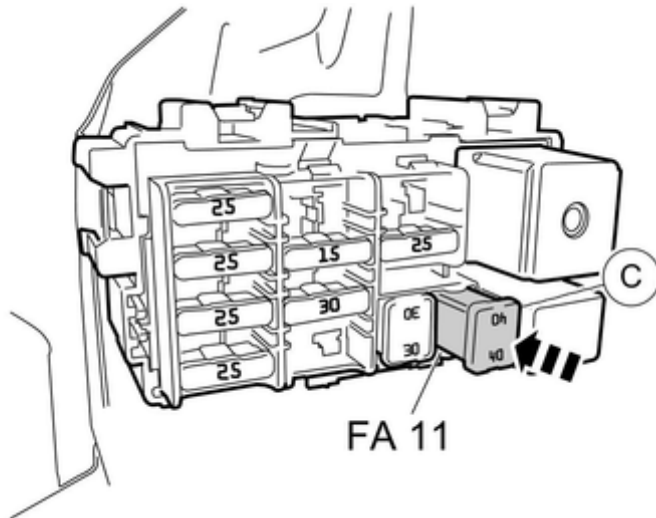
Volvo Car Corporation Gothenburg, Sweden

25



IMG-338941

26



IMG-385078

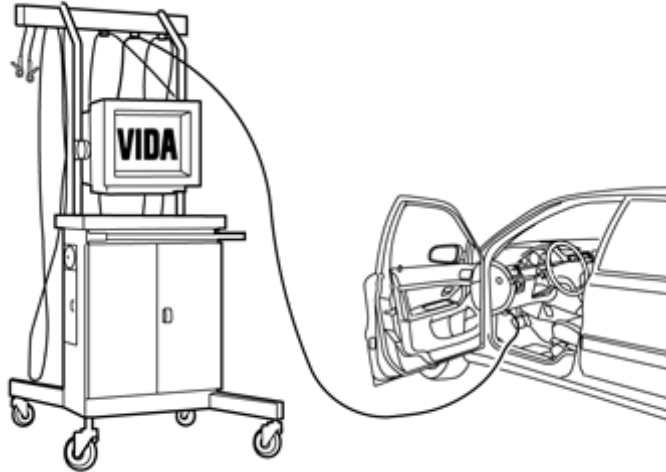
Installation



Installation instructions, accessories

Volvo Car Corporation Gothenburg, Sweden

27



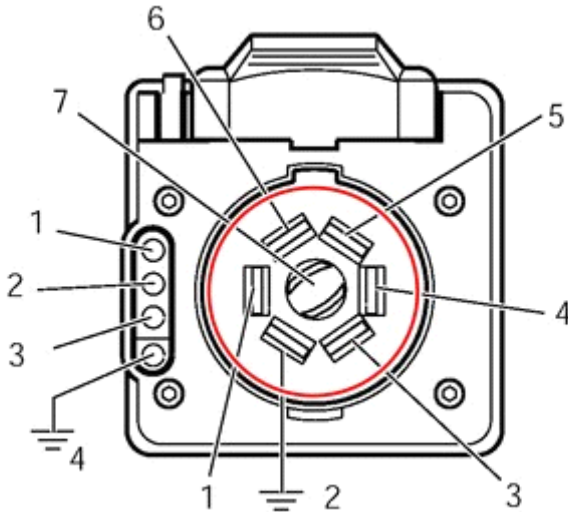
IMG-242268

Download software (application) for the accessory's function according to the service information in VIDA.

Order and download software according to: 31350003

Check

28



IMG-384866

Note!

To activate the trailer module (TRM) at least two light sources (lamps) must be connected. This can be done by connecting test equipment for the trailer connector, or a trailer.

Note!

The trailer module (TRM) must be programmed with correct software to function correctly.

7-pin connection

- 1. Brake lamp/Left indicator
- 2. Ground connection
- 3. Spare slot (brake lamp, electrical trailer brake)
- 4. Stop lamp/ Right turn signal lamp
- 5. Charging
- 6. Position lamp
- 7. Spare (back-up light)

The wire for pin 3 for 7-pin connection is blue (BL)

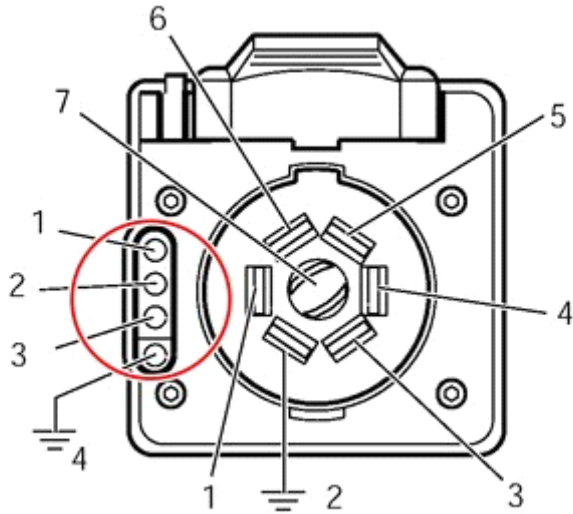
The cable is secured at the wiring approximately 1 metre from the trailer connector.



Installation instructions, accessories

Volvo Car Corporation Gothenburg, Sweden

29



IMG-384862

4-pin connection

1. Stop lamp/ Right turn signal lamp
2. Brake lamp/Left indicator
3. Position lamp
4. Ground connection

Installation

30

Reinstall the removed parts in reverse order.
